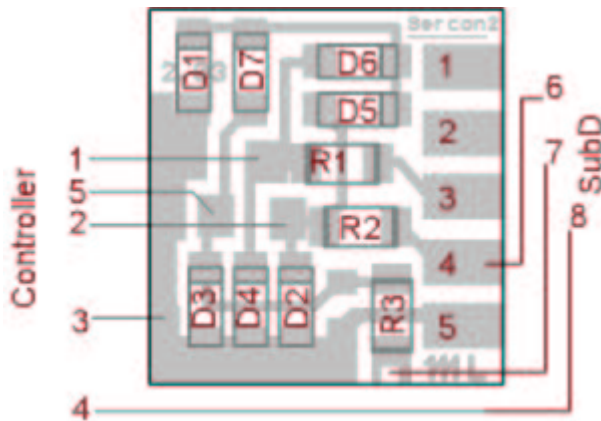


Building instructions Sercon-2-Mini PC Adapter (1.2.2005)

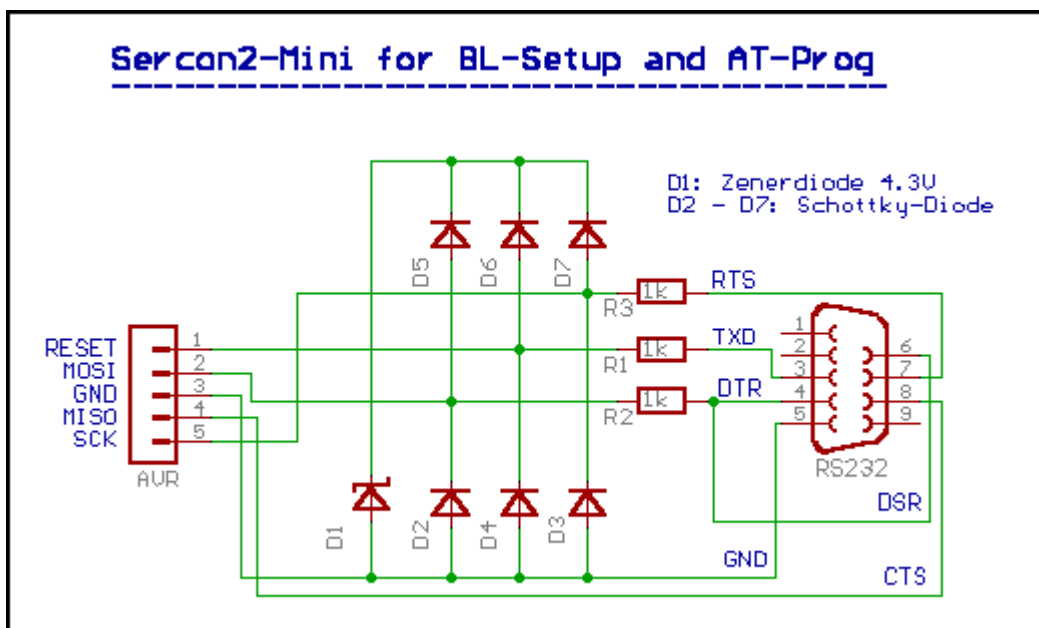
1. List of parts

Teil	Typ	Menge
D1	Zenerdiode 4,3V	1
D2, D3, D4, D5, D6, D7	Schottky Diode BAS 85	6
R1, R2, R3	Resistor 1K	3
alligator clip	(für Potentialausgleich)	1
plug		1
Cable		1
9-Pol SubD socket		1
SubD housing		1
Wire	(for connecting the alligator clip)	1
heat shrink sleeve	(for isolating the plug)	1

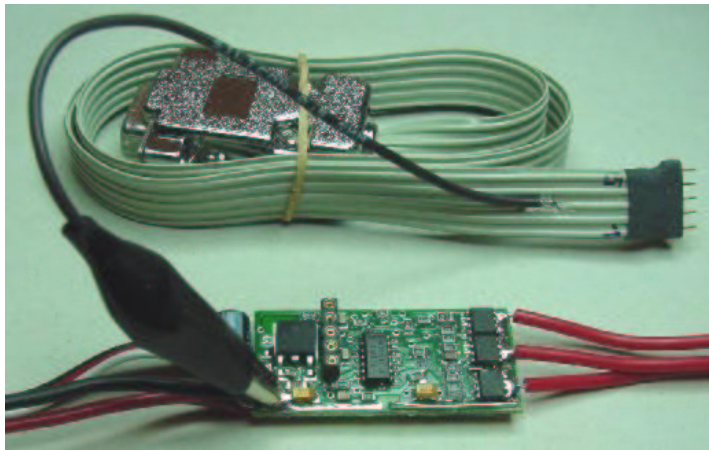
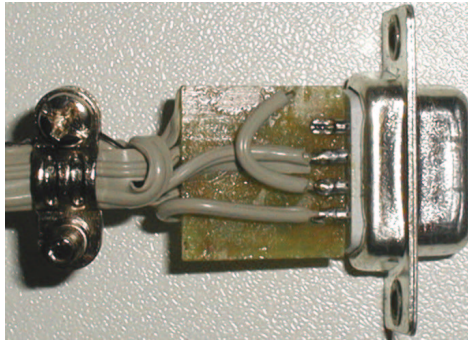
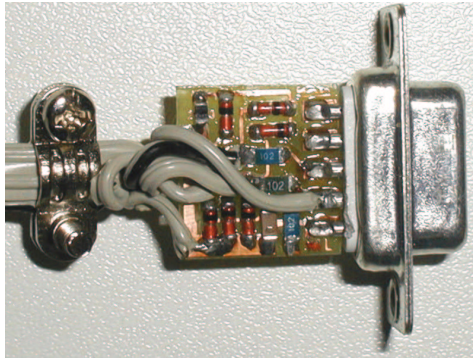
2. Layout



3. Schema



4. Ready



Note: Be careful while soldering the plug. The plastic may melt.

Connect the wire the alligator clip and the middle of the 5 wires of the middle pin of the plug.

Before using the adapter please read the instructions in the PC-Setup manual of the controller.

Plug in the RS232 socket first. Before connecting the adapter with the controller, never forget to connect the alligator clip with ground of the controller. Without potential equalization lost data or a destroyed controller may be possible.

PCB Layout by Milan Lulic.

More Infos:

<http://http://www.speedy-bl.com/sbl-micro.htm>

<http://http://www.speedy-bl.com/sbl-mega.htm>

<http://www.radetzki.info>

Copyright 2003-2005 Thomas Radetzki